

Tools Required:

Drill
Screwdriver
Wire cutters
Wire strippers
Crimping tool
Heat gun/hairstyler

Required Installation Accessories: (Not included)

Fuse Holder and Fuse or Circuit Breaker
Mounting screws or nuts and bolts
Wire
Fuse Holder and Fuse or Circuit Breaker
for load if load is not already fused

STEP ONE - Mount the Night MasterTM

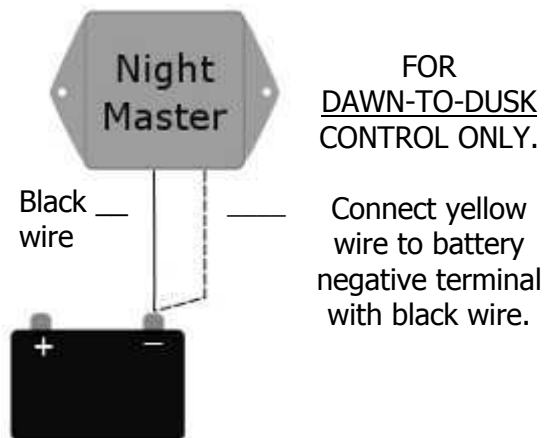
Choose a location where the Night MasterTM will be exposed to outdoor lighting. Do not mount the Night MasterTM in a location exposed to direct sunlight or facing any artificial light sources.

Use appropriate hardware to mount the device.

STEP TWO - Connecting the Night MasterTM to the battery negative terminal

For DUSK-TO-DAWN control, connect the black wire from the Night MasterTM to the battery negative Terminal.

For DAWN-TO-DUSK control, connect the black wire and the small yellow wire from the Night MasterTM to the battery negative terminal.



STEP THREE (OPTIONAL)- Enabling Low Voltage Disconnect (LVD) Protection

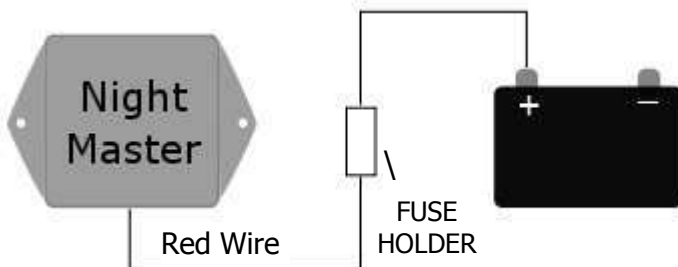
To enable Low Voltage Disconnect Protection connect the blue wire to the battery negative terminal.

If your application does not require Low Voltage Disconnect Protection, leave the blue wire disconnected and proceed to the next step.

STEP FOUR - Connecting the Night Master™ to the battery positive terminal using a series fuse holder or circuit breaker.

Be sure that the fuse is removed from the fuse holder or that the breaker is in the "off" position. Connect the red wire from the Night Master™ to the fuse holder or circuit breaker.

Connect the other end of the fuse holder or circuit breaker to the battery positive terminal.

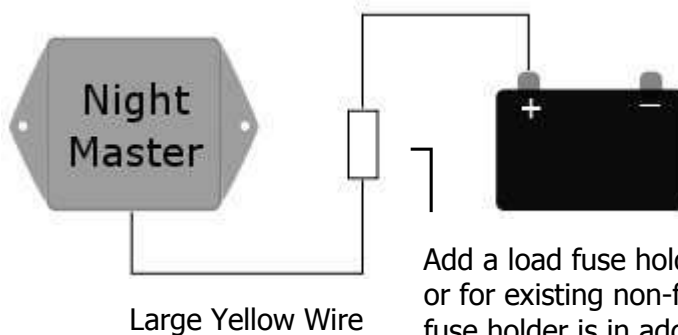


STEP FIVE - Connecting the load to the Night Master™ and battery positive terminal. For new installations or loads not already fused, add a series fuse for the load.

NOTE: The Night Master™ has isolated switching terminals and can be used to switch a load connected to the same power supply (common) as the Night Master™ or an isolated power supply if desired.

NEW INSTALLATIONS OR EXISTING UNFUSED INSTALLATIONS

If this is a new installation or if the existing installation did not use a fuse add a fuse holder inline with the large yellow wire from the Night Master™ and connect the other end of the fuse to the battery positive terminal of the desired power supply (common or isolated).



Add a load fuse holder for new installations or for existing non-fused loads. NOTE: This fuse holder is in addition to the fuse holder from installation Step Four.

EXISTING INSTALLATIONS ALREADY INSTALLED WITH A FUSE

For existing installations already installed with a fuse, remove the load connection from the existing fuse holder. Connect the large yellow wire from the Night Master™ to the existing fuse holder where the wire was just removed. Connect the wire removed from the fuse holder to the white wire from the Night Master™.

STEP SIX - Connecting the load to the Night Master and battery negative terminal.

NEW INSTALLATIONS OR EXISTING UNFUSED INSTALLATIONS

For new installations or existing unfused installations, connect the positive connection from the load to the white wire from the Night Master™.

Connect the negative connection from the load to the battery negative terminal.

EXISTING INSTALLATIONS ALREADY INSTALLED WITH A FUSE

The negative connection on existing loads was not disturbed during installation and should already be connected to the battery negative terminal. You may proceed to the next step.

STEP SEVEN - Insulate and secure wiring from the Night Master™.

The small yellow and blue control wires came with the ends sealed from the factory. If the sealed ends are removed and the wires are not connected they should be resealed with liquid electrical tape or heat shrink tubing to protect the wires.

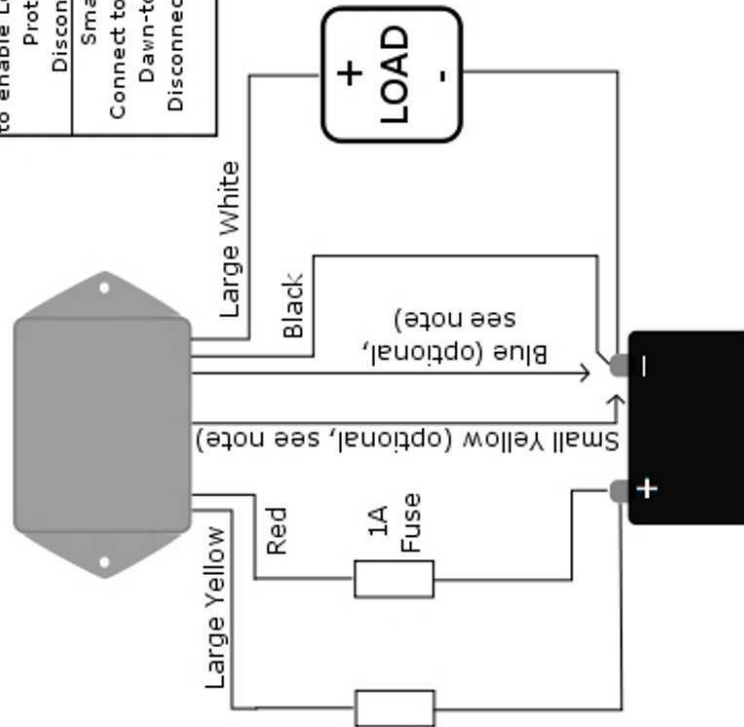
Secure all wires in such a way that they will not interfere with other equipment or become damaged during use.

STEP EIGHT - Insert the fuse into the fuse holder or switch the circuit breaker to the "on" position

Once the fuse is inserted into the fuse holder or the circuit breaker has been set to the "on" position, installation is complete. The Night Master™ will now automatically switch your device on or off based on ambient light conditions, with no further human interaction.

Thank you for choosing the Night Master™ from Power Planted LLC™. Please visit www.powerplanted.com for more information.

Common Supply Connection Diagram



<p>Blue Wire: Connect to battery negative to enable Low Voltage Disconnect Protection feature. Disconnected = LVD off</p>
<p>Small Yellow Wire: Connect to battery negative for Dawn-to-Dusk operation. Disconnected = Dusk-to-Dawn control.</p>

Isolated Supply Connection Diagram

