



Tools Required:

- Drill
- Screwdriver
- Wire cutters
- Wire strippers
- Crimping tool
- Heat gun/hairstyler

Required Installation Accessories: (Not included)

- Fuse Holder and Fuse or Circuit Breaker
- Mounting screws or nuts and bolts
- Wire
- Fuse Holder and Fuse or Circuit Breaker for load if load is not already fused

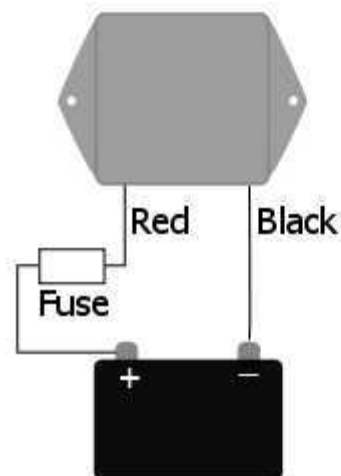
STEP ONE - Mount the Smart Switch

Choose a suitable location to mount the Smart Switch Controller. Do not mount the Smart Switch in a location exposed to direct sunlight.

Use appropriate hardware to mount the device.

STEP TWO - Connecting the Smart Switch to the battery negative terminal

Connect the black wire from the Smart Switch to the battery negative terminal.



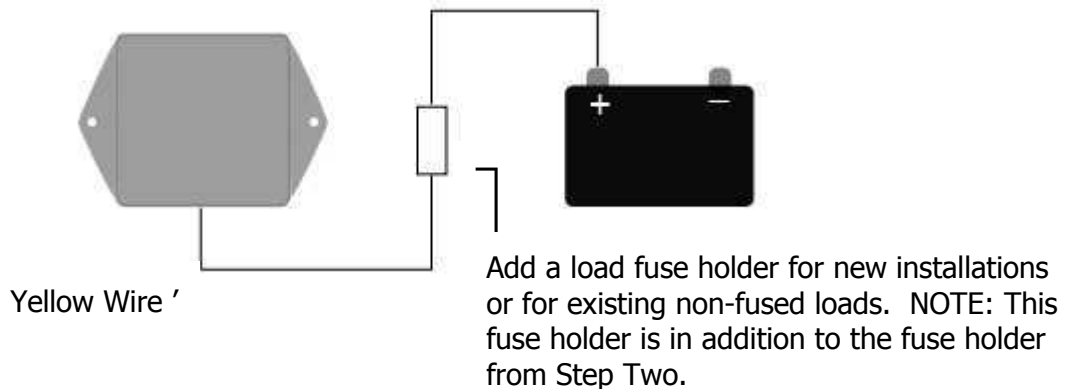
STEP THREE - Connecting the Smart Switch to the battery positive terminal with a series fuse.

Connect the red wire from the Smart Switch to a fuse holder with the fuse removed. Connect the other end of the fuse holder to the battery positive terminal.

STEP THREE - Connecting the load to the Smart Switch and battery positive terminal. For new installations or loads not already fused, add a series fuse for the load.

NEW INSTALLATIONS OR EXISTING UNFUSED INSTALLATIONS

If this is a new installation or if the existing installation did not use a fuse, add a fuse holder inline with the yellow wire from the Smart Switch and connect the other end of the fuse to the battery positive terminal.



EXISTING INSTALLATIONS ALREADY INSTALLED WITH A FUSE

For existing installations already installed with a fuse, remove the load connection from the existing fuse holder. Connect the yellow wire from the Smart Switch to the existing fuse holder where the wire was just removed. Connect the wire removed from the fuse holder to the white wire on the Smart Switch.

STEP FOUR - Connecting the load to the Smart Switch and battery negative terminal.

NEW INSTALLATIONS AND EXISTING UNFUSED INSTALLATIONS

For new installations or existing unfused installations, connect the positive connection from the load to the white wire from the Smart Switch.

Connect the negative connection from the load to the battery negative terminal.

EXISTING INSTALLATIONS ALREADY INSTALLED WITH A FUSE

The negative connection on existing loads was not disturbed during installation and should already be connected to the battery negative terminal. You may proceed to the next step.

STEP FIVE - Insulate and secure all wiring from the Smart Switch.

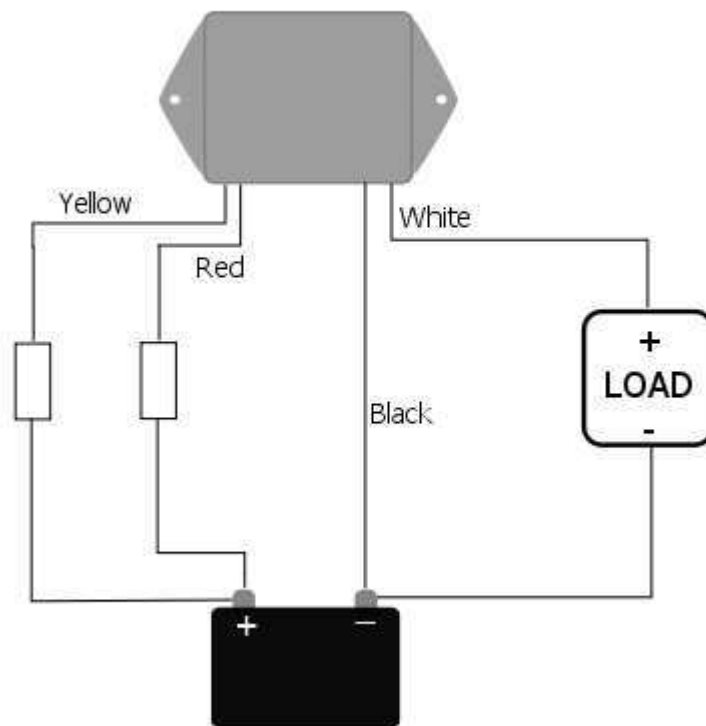
Secure the wires in such a way that they will not interfere with other equipment or become damaged during use.

STEP SIX - Insert the fuse into the fuse holder or switch the circuit breaker to the "on" position

Once the fuse is inserted into the fuse holder or the circuit breaker has been set to the "on" position, installation is complete. The Smart Switch will now monitor your battery and automatically disconnect your device if the voltage drops below a safe level.

Thank you for choosing the Smart Switch from Power Planted LLC™

COMPLETE WIRING SCHEMATIC WITHOUT OPTIONAL LV SIGNAL CONNECTIONS



COMPLETE WIRING SCHEMATIC WITH OPTIONAL LV SIGNAL CONNECTIONS

Optional Low Voltage Signal Connection:

Any device that draws 600mA or less may be connected directly to this wire. Use a relay for switching a higher load. Shown are the three most common uses for the low voltage signal connection. NOTE: Connect only one device to the low voltage signal connection.

